

## FEATURES & SPECIFICATIONS

**INTENDED USE** — For square straight steel poles only.

**CONSTRUCTION** — Body is constructed from A500 Grade B steel tubing. Welding follows industry standards best practices. Bracket is galvanized (per ASTM A-123) or painted after fabrication.

**FINISH** — Extra durable standard powder-coat finishes include Dark Bronze, White, Black, and Natural Aluminum colors. Architectural Colors and Special Finishes are available by quote and include, but are not limited to Hot-dipped Galvanized, Paint over Hot-dipped Galvanized, RAL Colors, Custom Colors and Extended Warranty Finishes. Factory-applied primer paint finish is available for customer field-paint applications.

**INSTALLATION** — Mounting hardware is included.

**WARRANTY** — 1-year limited warranty. Complete warranty terms located at: [www.acuitybrands.com/CustomerResources/Terms\\_and\\_conditions.aspx](http://www.acuitybrands.com/CustomerResources/Terms_and_conditions.aspx)

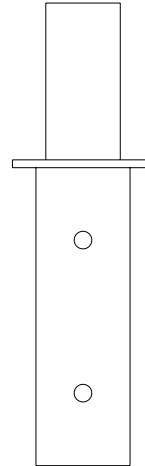
**NOTE:** Actual performance may differ as a result of end-user environment and application. Specifications subject to change without notice.

|                |
|----------------|
| Catalog Number |
| Notes          |
| Type           |

**Bolt-On Tenon**

# SBT

**STEEL (SBT) BOLT-ON TENON  
FOR SQUARE STRAIGHT STEEL POLES**



(See next page for dimensions and drawings.)

### ORDERING INFORMATION

Lead times will vary depending on options selected. Consult with your sales representative.

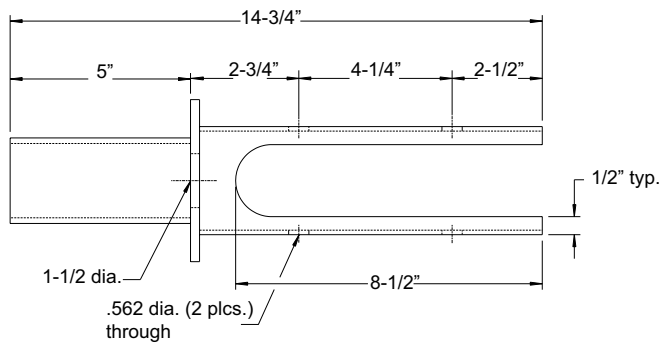
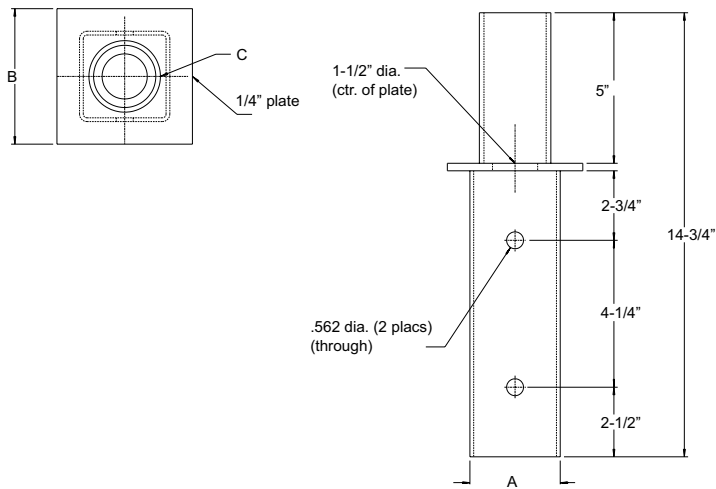
**Example:** SBT-5S T25 DDBXD

| SBT Series | Pole size | Modified <sup>1</sup>    | Tenon size  | Finish <sup>2</sup>   |  |
|------------|-----------|--------------------------|---|---|--|
| SBT        | 4S        | (blank) Standard         | (blank) 2-3/8" O.D. (2" NPS)                        | <u>Super durable colors</u><br>DDBXD Dark bronze<br>DBLXD Black<br>DNAXD Natural aluminum<br>DWHXD White<br>DDBTXD Textured dark bronze<br>DBLBXD Textured black<br>DNATXD Textured natural aluminum<br>DWHGXD Textured white<br><u>Other finishes</u><br>GALV Galvanized steel |  |
|            | 5S        | MOD Slotted <sup>1</sup> | T25 2-7/8" O.D. (2-1/2" NPS)                        |   | <u>Primer finish</u><br>DPRM Red primer  |
|            | 6S        |                          | T30 3-1/2 O.D. (3" NPS)<br>T35 4" O.D. (3-1/2" NPS) |   | <u>Architectural colors and special finishes</u><br>Paint over galvanized, RAL colors, custom colors and extended warranty finishes available. |

**NOTES:**

- Modified with two slots at 180 degrees to allow clearance of fixture arm backup plate in DM19 and DM28 applications.
- Finish must be specified. Additional colors available; see Architectural Colors brochure linked [here](#) (Form No. 794.3).

# SBT Bolt-On Tenon; Square Straight Steel Poles



## SBT (Bolt-On Tenon) - TECHNICAL INFORMATION

| Lithonia Lighting Catalog Number | Dimensions (inches) |       |       | Bracket weight (lbs.) | "Max Per Fixture EPA with AASHTO 2013 12in Above Top of Pole" |        |        | "Max Per Fixture EPA with AASHTO 2013 60in Above Top of Pole" |        |        | Max. per fixture weight (lbs.) | Max Mounting Height (ft) |
|----------------------------------|---------------------|-------|-------|-----------------------|---|--------|--------|---|--------|--------|--------------------------------|--------------------------|
|                                  | A                   | B     | C     |                       | 100MPH  | 120MPH | 150MPH | 100MPH  | 120MPH | 150MPH |                                |                          |
|                                  | SBT-4S              | 3     | 4-1/2 |                       | 2-3/8   | 7      | 31.3   | 21.7  | 14.1   | 5.9    |                                |                          |
| SBT-4S T25                       | 3                   | 4-1/2 | 2-7/8 | 6                     | 50.0  | 34.8   | 22.5   | 10.2  | 7.1    | 4.6    | 400                            | 50                       |
| SBT-4S T30                       | 3                   | 4-1/2 | 3-1/2 | 9                     | 46.9  | 32.6   | 21.1   | 7.8   | 5.4    | 3.5    | 400                            | 50                       |
| SBT-4S T35                       | 3                   | 4-1/2 | 4     | 10                    | 78.1  | 54.3   | 35.2   | 14.8  | 10.3   | 6.7    | 400                            | 50                       |
| SBT-5S                           | 4                   | 5-1/2 | 2-3/8 | 9                     | 29.7  | 20.7   | 13.4   | 5.9   | 4.1    | 2.7    | 400                            | 50                       |
| SBT-5S T25                       | 4                   | 5-1/2 | 2-7/8 | 8                     | 29.7  | 20.7   | 13.4   | 5.9   | 4.1    | 2.7    | 400                            | 50                       |
| SBT-5S T30                       | 4                   | 5-1/2 | 3-1/2 | 11                    | 46.9  | 32.6   | 21.1   | 7.8   | 5.4    | 3.5    | 400                            | 50                       |
| SBT-5S T35                       | 4                   | 5-1/2 | 4     | 12                    | 78.1  | 54.3   | 35.2   | 14.8  | 10.3   | 6.7    | 400                            | 50                       |
| SBT-6S                           | 5                   | 6-1/2 | 2-3/8 | 14                    | 21.9  | 15.2   | 9.9    | 4.4   | 3.0    | 2.0    | 400                            | 50                       |
| SBT-6S T25                       | 5                   | 6-1/2 | 2-7/8 | 13                    | 31.3  | 21.7   | 14.1   | 6.3   | 4.3    | 2.8    | 400                            | 50                       |
| SBT-6S T30                       | 5                   | 6-1/2 | 3-1/2 | 16                    | 39.1  | 27.2   | 17.6   | 8.6   | 6.0    | 3.9    | 400                            | 50                       |
| SBT-6S T35                       | 5                   | 6-1/2 | 4     | 17                    | 50.0  | 34.8   | 22.6   | 10.2  | 7.1    | 4.6    | 400                            | 50                       |

### IMPORTANT:

- These specifications are intended for general purposes only. Lithonia Lighting reserves the right to change material or design, without prior notice, in a continuing effort to upgrade its products.

### CAUTION:

- The arms described herein are designed for applications in areas of normal winds. Consult the factory prior to the design of systems to be mounted on structures such as bridges or buildings, or areas known to have abnormal winds such as airports or coastal areas. Failure to consider these factors in the system design could result in the failure of the pole or mast arm, and consequently personal injury or property damage.



POLE-SBT