

BALDOR® • ***RELIANCE***

Product Information Packet

EM3158T

3HP,3450RPM,3PH,60HZ,145T,3530M,OPSB,F1

Part Detail							
Revision:	H	Status:	PRD/A	Change #:		Proprietary:	No
Type:	AC	Prod. Type:	3530M	Elec. Spec:	35WGP988	CD Diagram:	CD0005
Enclosure:	OPSB	Mfg Plant:		Mech. Spec:	35T680	Layout:	35LYT680
Frame:	145T	Mounting:	F1	Poles:	02	Created Date:	05-10-2010
Base:	RG	Rotation:	R	Insulation:	F	Eff. Date:	11-09-2016
Leads:	9#18					Replaced By:	
Literature:		Elec. Diagram:					

Nameplate NP3553L										
CAT.NO.	EM3158T									
SPEC.	35T680P988G2									
HP	3									
VOLTS	230/460									
AMP	7.6/3.8									
RPM	3450									
FRAME	145T				HZ	60			PH	3
SER.F.	1.15		CODE	K	DES	B		CL	F	
NEMA-NOM-EFF	85.5		PF	87						
RATING	40C AMB-CONT									
CC	010A				USABLE AT 208V					8
DE	6205				ODE	6203				
ENCL	OPSB		SN							
VPWM INVERTER READY										
CT30-60(2:1) VT3-60(20:1)										

AC Induction Motor Performance Data

Record # 59451 - Typical performance - not guaranteed values

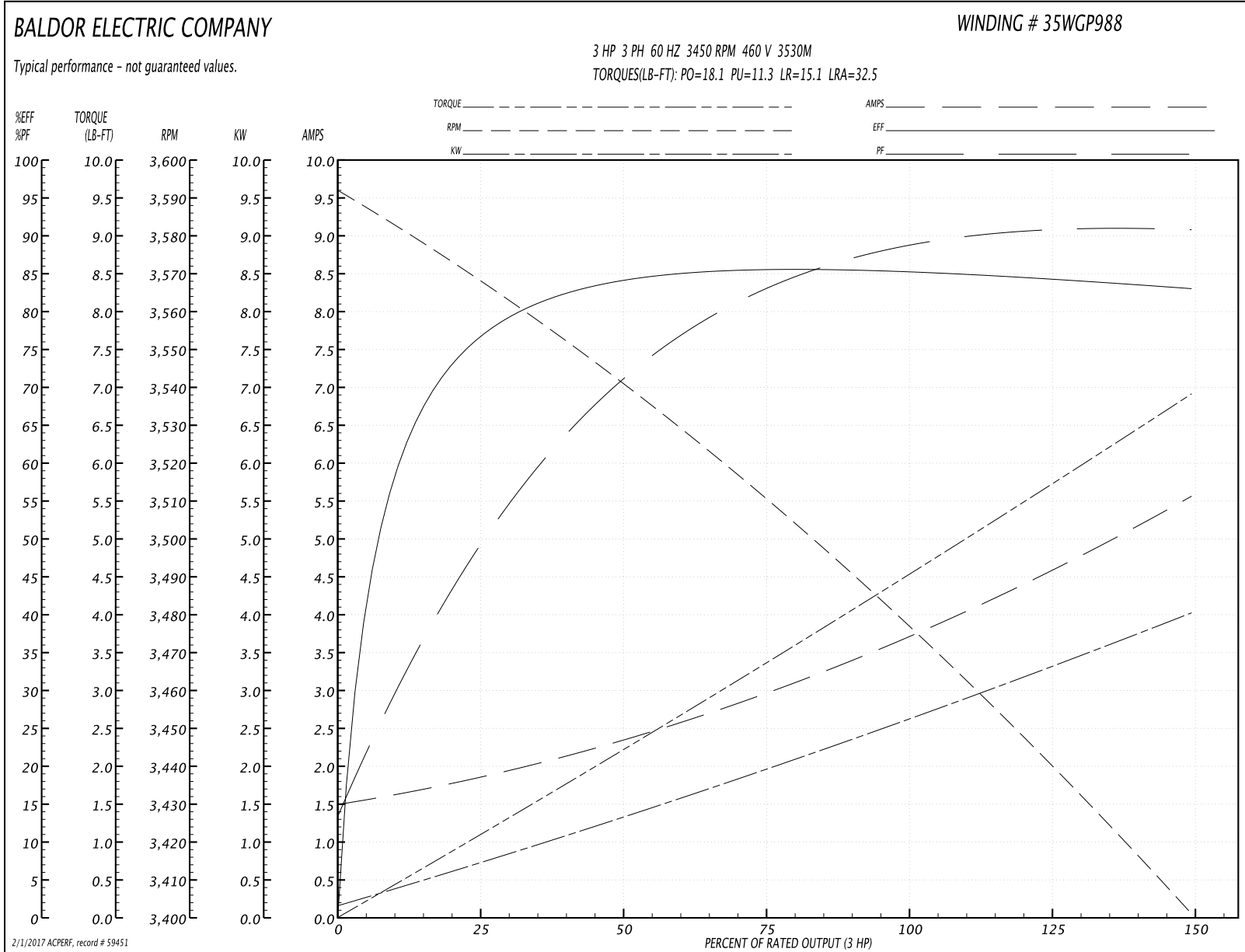
Winding: 35WGP988-R004	Type: 3530M	Enclosure: OPSB
-------------------------------	--------------------	------------------------

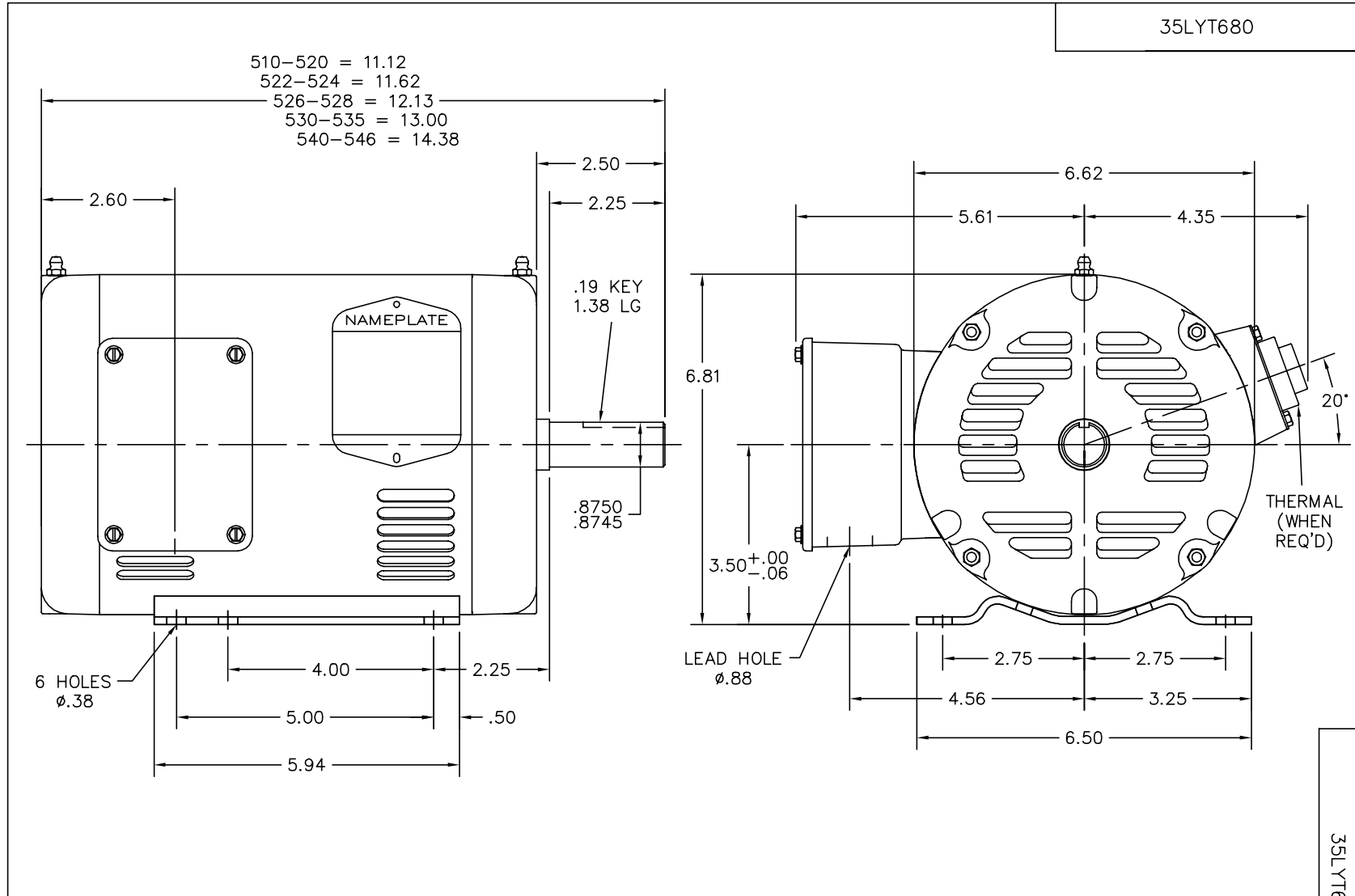
Nameplate Data				460 V, 60 Hz: High Voltage Connection	
Rated Output (HP)	3			Full Load Torque	4.5 LB-FT
Volts	230/460			Start Configuration	direct on line
Full Load Amps	7.6/3.8			Breakdown Torque	18.1 LB-FT
R.P.M.	3450			Pull-up Torque	11.3 LB-FT
Hz	60	Phase	3	Locked-rotor Torque	15.1 LB-FT
NEMA Design Code	B	KVA Code	K	Starting Current	32.5 A
Service Factor (S.F.)	1.15			No-load Current	1.55 A
NEMA Nom. Eff.	85.5	Power Factor	87	Line-line Res. @ 25°C	5.8893 Ω
Rating - Duty	40C AMB-CONT			Temp. Rise @ Rated Load	33°C
S.F. Amps				Temp. Rise @ S.F. Load	40°C
				Locked-rotor Power Factor	57.8
				Rotor inertia	0.0822 LB-FT ²

Load Characteristics 460 V, 60 Hz, 3 HP

% of Rated Load	25	50	75	100	125	150	S.F.
Power Factor	50	72	82	87	90	91	89
Efficiency	76.1	84.3	86	85.8	84.7	83	85.1
Speed	3569.1	3541.6	3510.6	3478.3	3442.7	3400.2	3457
Line amperes	1.77	2.29	2.97	3.73	4.58	5.53	4.24

Performance Graph at 460V, 60Hz, 3.0HP Typical performance - Not guaranteed values





CUSTOMER IS RESPONSIBLE FOR DETERMINING THAT BALDOR'S PRODUCT WILL PERFORM SUITABLY IN THE INTENDED APPLICATION.

REV. DESC: CHG. 34CB4510 TO 34CB4521 & ADD 35AD2005A01		
REV. LTR: B	VERSION: 02	TDR: 000000750221
FILE: \AAA\00107\659	REVISED: 08:51:04 06/07/2012	
MTL: -	BY: ENMICW1	

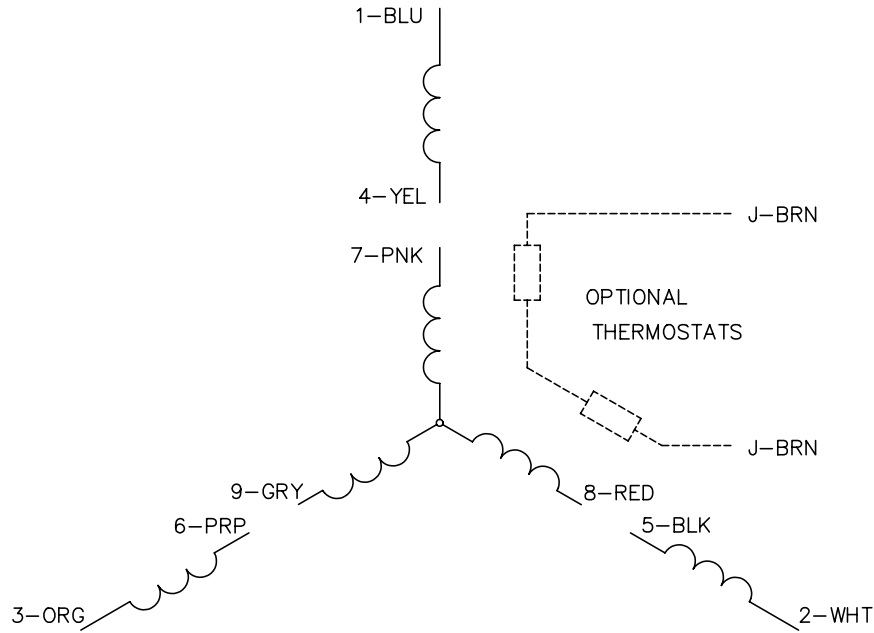
BALDOR

HORZ 35M OPSB 143-5T 2 POLE "W" BASE (35BA4009)

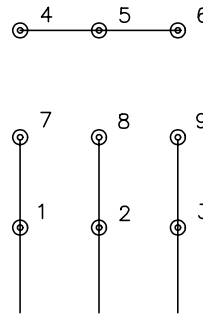
SH 1 of 1

35LYT680

CD0005

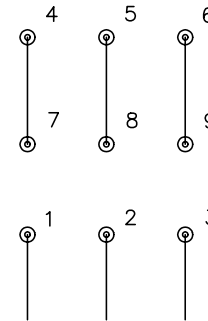


LOW VOLTAGE
(2Y)



LINE

HIGH VOLTAGE
(1Y)



LINE

NOTES:

1. INTERCHANGE ANY TWO LINE LEADS TO REVERSE ROTATION.
2. OPTIONAL THERMOSTATS ARE PROVIDED WHEN SPECIFIED.
3. ACTUAL NUMBER OF INTERNAL PARALLEL CIRCUITS MAY BE A MULTIPLE OF THOSE SHOWN ABOVE.
4. LEAD COLORS ARE OPTIONAL. LEADS MUST ALWAYS BE NUMBERED AS SHOWN.

REV. DESC: REVISE TO SHOW OPTIONAL COLORS

REV. LTR: E BY: JLP

REVISED: 01/19/99 10:15

TDR: 0171435

90000

FILE: AAA00005140

MDL: -

MTL: -

BALDOR ELECTRIC Co.

3PH, DV, 9 LEADS

CD0005