

Straight Blade Devices
 20A, 125V, 2 Pole, 3 Wire Grounding
 HBL® Extra Heavy Duty Hospital Grade
 Duplex Receptacles

HUBBELL

Features

- Unique tamper-resistant contact mechanism prevents injury
- Integral wire leads for fast installation and no exposed live parts
- One-piece nickel-plated brass ground strap
- I.D. marking surface helps in quick circuit identification

Ordering Information

| Description | Device Color | UPC | Catalog Number |
|---|--------------|--------------|----------------|
| Tamper-resistant receptacle with wire leads | Gray | 783585152295 | HBL8300SGGYA |

Listings

UL Listed to UL498 File No. E2186
 Certified to CSA 22.2, No. 42 File 285
 Fed. Spec. W-C-596
 NEMA® WD-6 Compliant

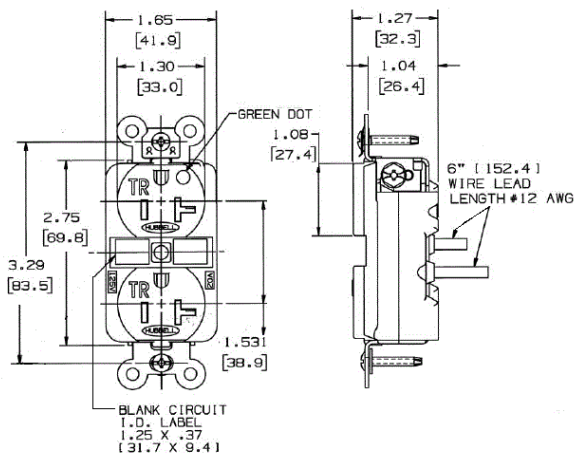
Specifications

| | |
|-------------------------------|---|
| Face | PBT |
| Base | PBT |
| Contacts | .037 in. (.9) Nickel plated brass |
| Lead Wires | 6 in. (15.24), #12 AWG 65/30 stranded copper wire |
| Mounting Strap | .050 in. (1.3) Nickel plated brass |
| Automatic Self-Grounding Clip | Stainless steel |
| Mounting Screws | Zinc plated |

Performance

| Electrical | |
|-------------------------------|--|
| Current Interrupting | Certified for current interrupting at full rated current |
| Dielectric Voltage | Withstands 2,000V minimum |
| Mechanical | |
| Ground Terminal Accommodation | #12-#10 AWG stranded or solid copper wire only |
| Product Identification | Ratings are a permanent part of the device |
| Terminal Identification | Terminals identified in accordance with UL 498 and CSA |

| Environmental | |
|------------------------|---|
| Flammability | UL 94V-0 and UL 94-5 VA |
| IP Suitability | IP20 |
| Operating Temperatures | Maximum continuous 75°C; minimum -40°C (w/o impact) |



Accessories

Wallplate or Weatherproof Cover Duplex Opening

Resources

Customer Use Drawing
 eCatalog

Dimensions in Inches (mm)

Hubbell Wiring Device-Kellems • Hubbell Incorporated (Delaware) • 40 Waterview Drive • Shelton, CT 06484

Phone (800) 288-6000 • Fax (800) 255-1031 • Specifications subject to change without notice.

