



nut keeper kit; 3 units inch threaded plate, cover, top and bottom accessory for:  
3VA55; 3VA65/3VA66



Model	
product brand name	SETRON
product designation	nut keeper kit 3 units
accessories	nut keeper kit 3 units
Connections according IEC	
thickness / of the busbar / maximum	28 mm
width / of the busbar / maximum	50 mm
Connetctions according UL	
width / of the busbar / maximum	1.96 in
thickness / of the busbar / maximum	1.1 in
Certificates	
General Product Approval	EMV



EG-Konf.




UL

[Miscellaneous](#)

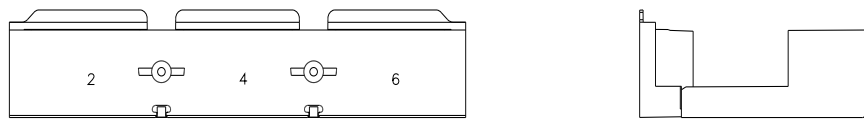
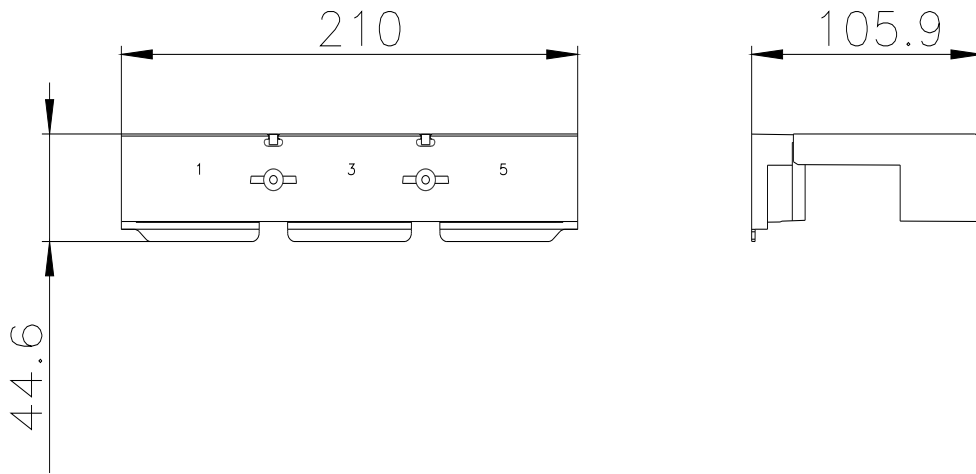


RCM

Test Certificates	Maritime application	other	Environment		
<a href="#">Type Test Certificates/Test Report</a>	 LRS	<a href="#">Confirmation</a>	<a href="#">Miscellaneous</a>	<a href="#">Environmental Confirmations</a>	<a href="#">Environmental Confirmations</a>

### Further information

Information on the packaging  
<https://support.industry.siemens.com/cs/ww/en/view/109813875>  
 Information- and Downloadcenter (Catalogs, Brochures,...)  
<http://www.siemens.com/lowvoltage/catalogs>  
 Industry Mall (Online ordering system)  
<https://mall.industry.siemens.com/mall/en/en/Catalog/product?mlfb=3VA9673-0QA00>  
 Service&Support (Manuals, Certificates, Characteristics, FAQs,...)  
<https://support.industry.siemens.com/cs/ww/en/ps/3VA9673-0QA00>  
 Image database (product images, 2D dimension drawings, 3D models, device circuit diagrams, ...)  
[http://www.automation.siemens.com/bilddb/cax\\_en.aspx?mlfb=3VA9673-0QA00](http://www.automation.siemens.com/bilddb/cax_en.aspx?mlfb=3VA9673-0QA00)  
 CAx-Online-Generator  
<http://www.siemens.com/cax>  
 Tender specifications  
<http://www.siemens.com/specifications>



last modified:

4/3/2025 