

Accessorize your LFL LED with a NEMA Type: 3H x 3V or 3H x 2V spot lens.

Color: Black

Weight: 0.3 lbs

Project:	Type:
Prepared By:	Date:

Driver Info		LED Info	
Type	Constant Current	Watts	0.00W
120V	N/A	Color Temp	N/A
208V	N/A	Color Accuracy	N/A
240V	N/A	L70 Lifespan	N/A
277V	N/A	Lumens	N/A
Input Watts	0.00W	Efficacy	N/A
Efficiency	N/A		

Technical Specifications

Listings

UL Listed:

Suitable for wet locations. Suitable for ground mounting.

Construction

Lens:

Microprismatic diffusion lens for smooth and even light distribution

Housing:

Precision die-cast aluminum

Finish:

Formulated for high durability and long-lasting color

Optical

NEMA Type:

Fixture has a NEMA Type 3H x 3V

Other

Compatibility:

Compatible with [LFL LED5A](#).

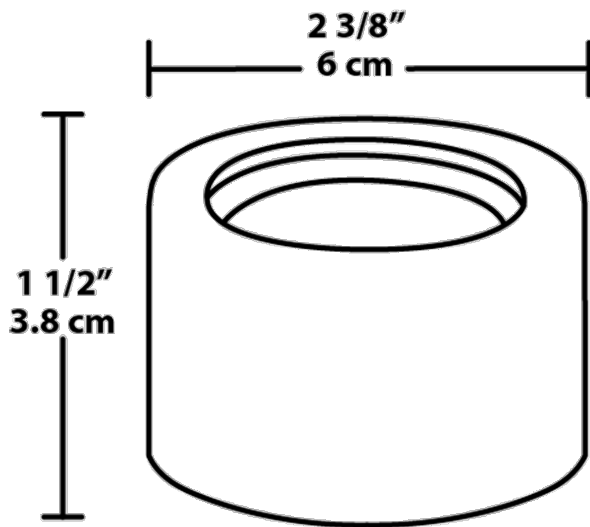
Patents:

The design of the LSFLED is protected by patents pending in US, Canada, China, Taiwan and Mexico

Buy American Act Compliance:

RAB values USA manufacturing! Upon request, RAB may be able to manufacture this product to be compliant with the Buy American Act (BAA). Please contact customer service to request a quote for the product to be made BAA compliant.

Dimensions



Features

- Microprismatic diffusion lens for smooth and even light distribution
- Precision die-cast aluminum housing
- 5-Year, No-Compromise Warranty