

KEMLUX® III KS SERIES

ENCLOSED & GASKETED
CFL SERIES

Cat. #		Approvals
Job	Type	

HUBBELL®
Industrial Lighting

SPECIFICATIONS

Intended Use:

- For use in corrosive, wet and dirty industrial applications such as power generation, waste water and sewage treatment, pulp/paper or steel mills

Construction:

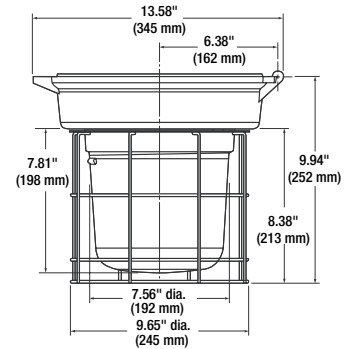
- Copper-free (<0.4%) aluminum housing, cover and guard with gray Lektrocote® powder polyester paint finish provides excellent corrosion resistance from most chemicals; Color is gray
- Modular design permits selection of cover, body, globe, guard and reflector for custom applications
- Cover selection of rigid and flexible pendant, ceiling, wall and 25° stanchion of varying threaded NPT entries
- Minimum starting temp of -25°F for CFL

Optics:

- Optic choices of impact-resistant glass globe, dome/angle fiberglass reinforced polyester reflector and 19" enclosed reflector, and polycarbonate enclosed lowbay; Unit shown with optional globe guard

LISTINGS

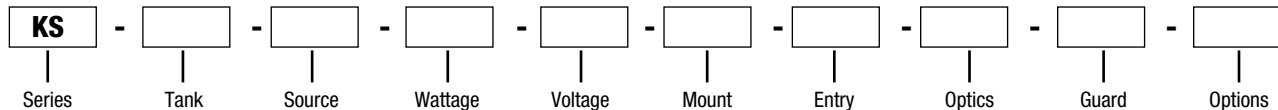
- Listed to UL1598 for use in wet locations; NEMA 4X with KG17 globe, 55°C ambient listed



**KSB Ballast Tank
KG25 7³/₄" Optics Globe
KAG25S Wire Guard**

ORDERING INFORMATION

ORDERING EXAMPLE: KS-D-H-40-0-A-2-GL-G-QA



SERIES

KS Kemlux® III KS

TANK

A Low wattage CFL 5"

B Low wattage CFL 8"

SOURCE

F Compact Fluorescent

LAMP WATTAGE

13 1 X 13

18 1 X 18

26S 1 X 26

32 1 X 32

42 1 x 42

26 2 x 13

36 2 x 18

52 2 x 26

64 2 x 32

84 2 x 42

VOLTAGE (@ 60 HZ)

30 Universal 120-277

MOUNT

A Pendant

B Wall bracket

C Cone Top

D Stanchion 25°

F Flex pendant

N¹ None (mount ordered separately)

S Stanchion straight 90°

X Ceiling

ENTRY (MOUNTS AVAILABLE)

2 3/4" NPT (A, B, C, X)

3 1" NPT (A, B, C, X)

4 1 1/4" NPT (D, S)

5 1 1/2" NPT (D, S)

6 3/4" NPT 5-hub (X)

7 1" NPT 5-hub (X)

N¹ None (mount ordered separately)

OPTICS

GL Globe

ER Enclosed reflector
(KSD & KSE only)

EP^a Polycarbonate shielded enclosed
reflector (KSD & KSE only)

S2^a Type II 12" spin-top refractor

S8^a Type V 8" spin-top refractor
(KSC & KSE only)

S5^a Type V 12" spin-top refractor

P5^a Type V Plastic spin-top
refractor (KSC only)

FG² Tuffskin® coated globe

TG³ Teflon® coated globe

TI² Teflon® coated globe Type I glass
refractor

OPTICS CON'T

T2^{3,4} Teflon® coated globe Type II
12" spin-top refractor

T3³ Teflon® coated globe Type III
glass refractor(KSD only)

T5³ Teflon® coated globe Type V
glass refractor

T8^{3,4} Teflon® coated globe Type V 8"
spin-top refractor (KSC only)

TV⁴ Teflon® coated globe Type V
12" spin-top refractor

R1 Type I glass refractor

R3 Type III glass refractor (KSD only)

R5 Type V glass refractor

GUARD

G Globe guard

N^{*} No guard

OPTIONS

AD Assembled fixture with
DAT Dual-Arc-Tube lamp
(250, 400W HPS only)

AS Assembled fixture with
standard lamp

BP Ballast protector (250-400W HPS only)

CS Component pack with
standard lamp

CP Component pack - no lamp

F1⁵ Fusing - single 120V 60Hz

F2⁵ Fusing - double 208V 60Hz

F3⁵ Fusing - double 240V 60Hz

F4⁵ Fusing - single 277V, 60Hz

F5⁵ Fusing - double 480V, 60Hz

F6⁵ Fusing - single 347V, 60Hz

F7⁵ Fusing - double 220V, 60Hz

F8⁵ Fusing - double 230V, 50Hz

P1⁶ Photo cell 120V

P2⁶ Photo cell 208-277V

(must specify voltage on order)

P3⁶ Photo cell 347V

OPTIONS CON'T

QA Quartz auxiliary

Q1⁷ Quick disconnect
wired at ballast to 120V

Q2⁷ Quick disconnect
wired at ballast to 208V

Q3⁷ Quick disconnect
wired at ballast to 240V

Q4⁷ Quick disconnect
wired at ballast to 277V

Q5⁷ Quick disconnect
wired at ballast to 480V

Q6⁷ Quick disconnect
wired at ballast to 347V

Q7⁷ Quick disconnect
wired at ballast to 220V

Q8⁷ Quick disconnect
wired at ballast to 230V

TB Terminal blocks

- NN** mount ordered separately
- Tuffskin® is a registered trademark of Thomas Mfg. Corp
- Teflon® is a registered trademark of DuPont, Inc.
- Order guards for spin tops & KER40 separately
- Fusing not for Marine or Canadian installations
- Field connection to proper tap in case of multitap ballasts
- QX** = Quick disconnect allows easy tank removal for maintenance; Electrician simply unplugs de-energized ballast from supply circuit

ORDERING INFORMATION

KS ACCESSORIES

(order as separate part #)

Catalog Number	Description	Weight lbs (kg)
K-SC6	6' Safety chain (large housing only)	1 (0.5)

PHOTOCONTROL FOR STANDARD AND HAZARDOUS CLASS I DIVISION 2'

Catalog Number	Volts	Frequency	Watts
HUB2PC120	120VAC	50/60 Hz	400
HUB2PC277'	277VAC	50/60 Hz	400
HUB2PC347	347VAC	50/60 Hz	400

1 Marked 220-277V, suitable for 208V NOTE: Patent Pending







KEMLUX III MOUNTING SPLICE BOXES

Hub Size	Catalog Number							
	Pendant	Flexible Pendant	Ceiling 4-Hub	Ceiling 5-Hub	Wall	Cone Top	25° Stanchion	90° Stanchion
3/4"	KSA2B	KSF2B	KSX2B	KSX6B	KSB2B	KSC2B	-	-
1"	KSA3B	KSF3B	KSX3B	KSX7B	KSB3B	KSC3B	-	-
1 1/4"	-	-	-	-	-	-	KSD4B	KSS4B
1 1/2"	-	-	-	-	-	-	KSD5B	KSS5B
M-20	-	-	KSX8B	KSX9B	-	-	-	-

BALLAST TANKS ONLY 120VAC THROUGH 277VAC 50/60HZ

5-1/2" OPTIC	7-3/4" OPTIC	WATTS	LAMPS INCL.
KSAF1330	KSBF1330	13	1X13
KSAF1830	KSBF1830	18	1X18
KSAF26S30	KSBF26S30	26	1X26
KSAF3230	KSBF3230	32	1X32
KSAF4230	KSBF4230	42	1X42
KSAF2630	KSBF2630	26	2X13
KSAF3630	KSBF3630	36	2X18
KSAF5230	KSBF5230	52	2X26
KSAF6430	KSBF6430	64	2X32
KSAF8430	KSBF8430	84	2X42

OPTICS

GL	R5 R1S	S8	S5 S2	GL	R5 R3 R1	ER	S5 S2	EP
								
KG17	KR171 KR175	KZRG1550	KRZG2550 KRZG2520	KG25	KHR255 KHR253 KHR251	KER40	KRZG4050 KRZG4020	KEP40
GUARDS								
	KSAG17¹	KRWG8³	KRWG³	KAG25S²	KERG²	KRWG³	WG-23	

REFLECTORS

				
KPSD40 Standard Dome Fiberglass White Reflector Dia: 16"	KPA40 Angle Fiberglass White Reflector Dia: 16"	HRD400 Deep Aluminum White Reflector Dia: 21"	HRD400ALZ Deep Aluminum Anodized Finish Reflector Dia: 21"	KAGBC Bottom Enclosure for KAG25S/SAG40S

1 Standard material: copper-free aluminum painted
 2 Standard material: 316 stainless steel
 3 Standard material: stainless steel

ORDERING INFORMATION

SUSPENSION DEVICES

(order as separate part #)

Catalog Number	Tank	Description
KAG17SC	KSC	VMG17/VMR17X Support 18" stainless steel aircraft cable secures guard to tank to hold globe in guard (for lamp changing)
KGR25SCR	KSD	VMG25/VMR25X Support 24" stainless steel aircraft cable and ring for globes and refractors for lamp changing; ring clamps to special ears on optic cable, twists to attach or detach from housing

NOTE: KHC and KSC suspension device attaches to guard (required); KHD and KSD suspension device attaches to optic and can be used with or without guard

DARK SKY KITS

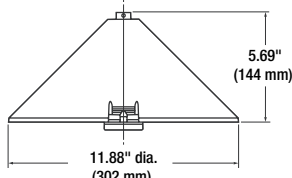
(order as separate part #)

Catalog No.	Description
KDARK1	Gasket kit: on KSD "Full Cut-off" when used w/ HRD400 or HRD400ALZ
KER40	Enclosed reflector: "Full Cut-off" on KSC & KSD

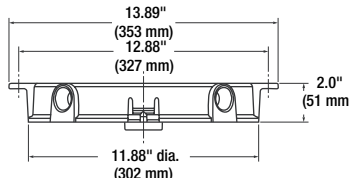
NOTE: Kerlux III luminaires may be configured for "Full Cut-off" or Semi-Cut-off photometric distribution; Local requirements dictate which parameter is required

DIMENSIONS

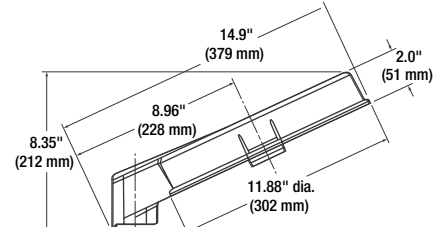
Mounting Adapters



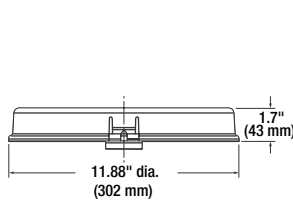
Cone Mount



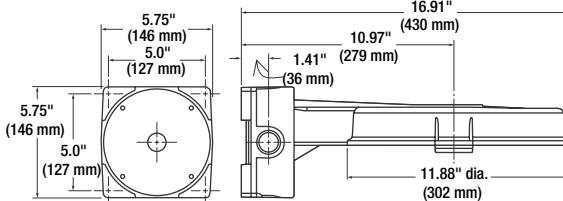
Ceiling Mount



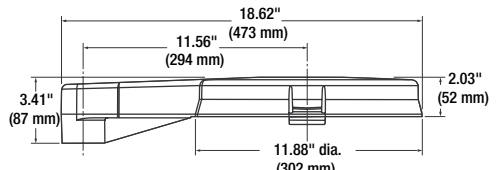
Stanchion (25°) Mount



Pendant Mount

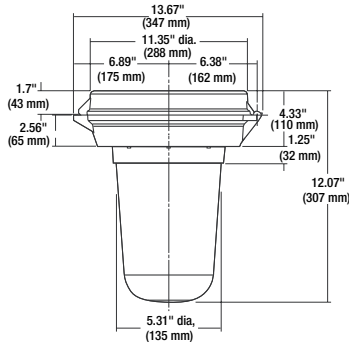


Wall Bracket Mount

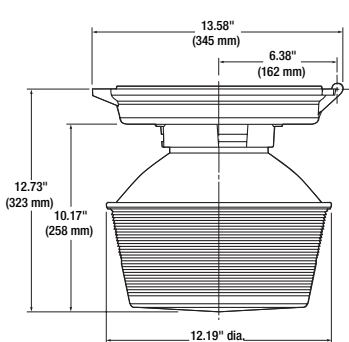


Stanchion (0°) Mount

KSA Housing

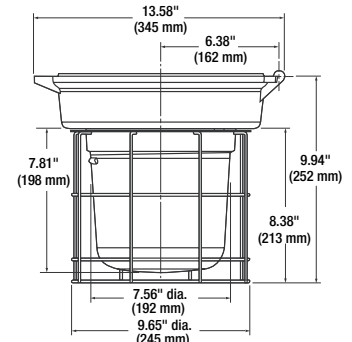


**KSA Ballast Tank
KG40 Globe**

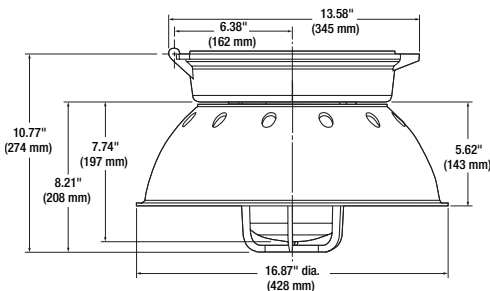


**KSA Ballast Tank
KZR9 12" Spun Refractor**

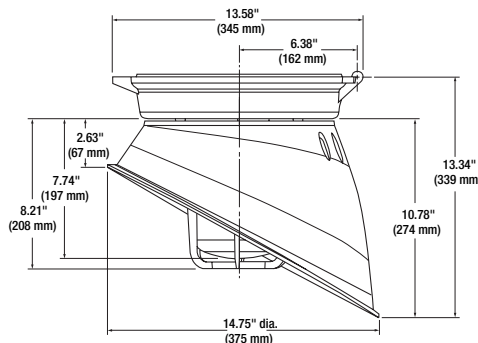
KSB Housing



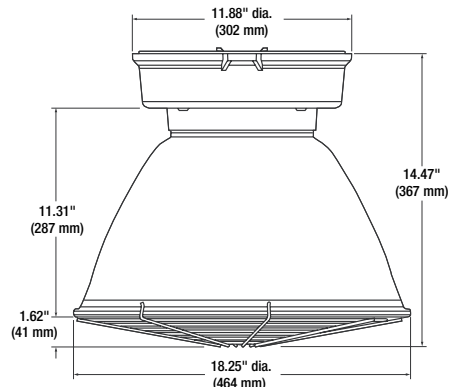
**KSB Ballast Tank
KG25 7³/₄" Optics Globe
KAG25S Wire Guard**



**KSA Ballast Tank
KG17 5¹/₂" Optics Globe
KPSD40 Dome Reflector**



**KSA Ballast Tank
KPA40 Fiberglass White Reflector**



**KSB Ballast Tank
KER40 Enclosed Reflector
KER9 Guard**